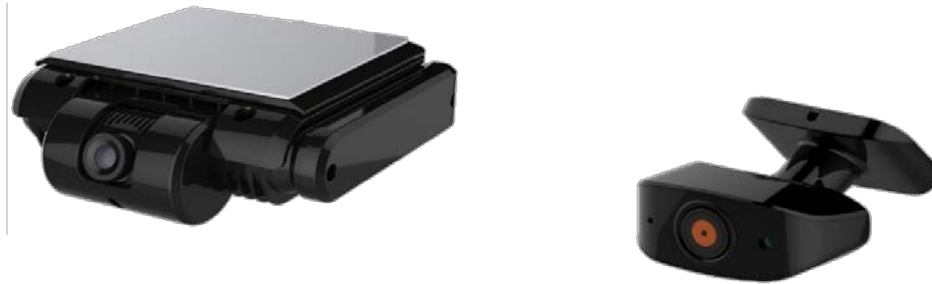




BTD2000 Essential Dashcam System



Specifications

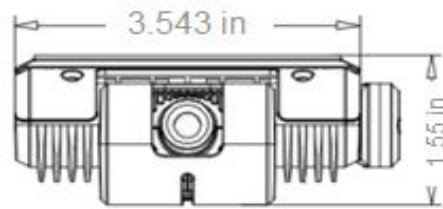
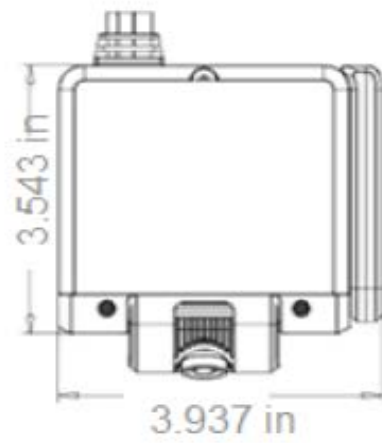
Model	FC-ESSENTIAL-ATT/TMO
WIFI	Support
3G/4G	Support
GPS	Support
6-Axis Sensor	Support
Vehicle Pulse Acquisition	Support
Storage	SD Card up to 256GB
Video Resolution (Driver Cam)	720P @ 30fps
Video Resolution (Road Cam)	1080P @ 30fps
Audio Input	Support
Sensor (Driver Cam)	1/3" 1.23M pixel CMOS Sensor
Sensor (Road Cam)	1/2.9" 2M pixel CMOS Sensor
Shutter	1/30 Second - 1/100000 Second
Lens (Driver Cam)	2.3mm
Lens (Road Cam)	4mm
Lens Port	M12
Infrared Sensor	Driver Cam
Wide Dynamic Range	Digital Wide Dynamic Range
Back-Light Compensation	Support
Signal-to-Noise	≥48db
USB	Mini-B USB 2.0
IPC	1 Channel
SD Card Slots	1
SIM Card Slots	1
Alarm	2 Channels
Speed	1 Channel
Sensor IN	2 Channels
Power Output	5VDC@500mA, 12VDC@500mA
Power Supply	DC 9~36V
Normal Power Consumption	6W
Temperature	-22°F ~ +158°F
Storage Temperature	-40°F ~ +185°F
Humidity	95%





BTD2000 Essential Dashcam System

ROAD CAM DIMENSIONS



DRIVER CAM DIMENSIONS

