



## BTD5010 Enterprise Basic Dashcam System

### Enterprise DVR

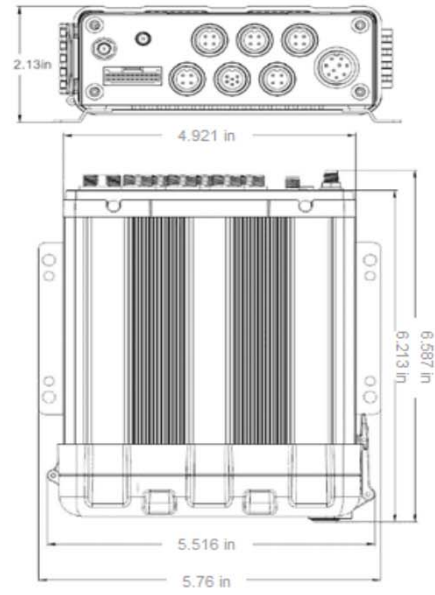


#### Specifications

Model	FC-ENTERPRISE-ATT/TMO
OS	Linux 3.18.20
Video Inputs	4 Channels AHD(1080P) + 1 channel IPC(1080P)
Video Outputs	1 Channel
Total Video Resources	4*720P@30fps(AHD) + 1*1080P@30fps(IPC) Or 4*1080P@15fps(AHD) + 1*1080P@30fps(IPC)
Video Signal Standard	Electrical Level: 1Vpp. Impedance: 75Ω. Optional NTSC/PAL
Audio Inputs	5 Channels (1 Channel IPC Audio Input)
Audio Outputs	1 Channel
Audio Signal Standard	Electrical Level: 2Vpp. Input Impedance: 4.7kΩ
Display Split	1/4/2009
OSD	GPS Info, Alarm, Vehicle Name, Speed, Date/Time
Video Compression	H.264/H.265
Audio Compression	ADPCM, G.711U
Recording Resolutions	Analog: PAL: 1080P(1920X1080), 720P(1280X720), WD1(928X576), WHD1(928X288), WCIF(464X288), D1(704X576), HD1(704x288), CIF(352x288)  NTSC: 1080P(1920X1080), 720P(1280X720), WD1(928X480), WHD1(928X240), WCIF(464X240), D1(704x480), HD1(704x240),CIF(352x240); Digital: 1080P(1920X1080), 720P(1280X720)
Image Quality	1-8 Levels Adjustable (1 = Highest Quality)
Recording Mode	Boot Up/Schedule/Alarm
Pre-recording	0-60 Minutes (Default is 8 seconds)
Post-recording	0-30 Minutes (Default is 8 seconds)
Networks Supported	WiFi/3G/4G
IPC Ethernet	6-Pin M12 (100M x 1, PON Power Supply)
GPS	Location Tracking, Speed Detection, and Time Sync
G-Sensor	Built-in Three-Axis Inertia Sensor
Storage	2x SD Card Slots
USB	1x USB 2.0
RS232	1x RS232
Sensor	8 Inputs, 2 Outputs
Speed	1 Channel Pulse Speed Detection
Control Panel	Optional LCD Touchscreen
Power Input	DC8-36V
Power Output	5V@500mA
Max Power Consumption	29W
Standby Power Consumption	≈0W
Dimensions (L x W x H)	6.587 in x 5.76 in x 2.13 in
Weight	1.83 lbs
Operating Temperature	-40°F ~ +158°F
Operating Relative Humidity	8%-90%

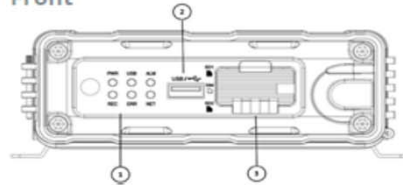
# Enterprise DVR

## DIMENSIONS

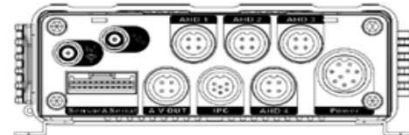


## CONNECTIONS

Front



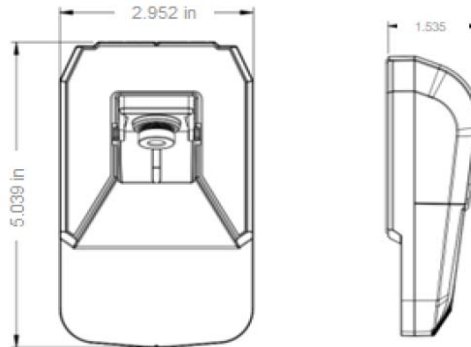
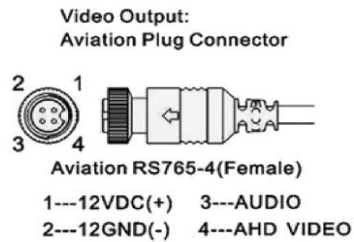
Back



# Enterprise Road Cam



Specifications	
Model	FC-CAM-WS-AHD-1080
Sensor	2MP 1/2.8" CMOS
Resolution	1920(H)x1080(V)
Minimum Illumination	0.05Lux(Color Illumination ), F1.2
Electronic Shutter	1/30 Second -1/10000 Second
Wide Dynamic Range	≥80db
Black-Light Compensation	Support
S/N	≥48db
Lens	8MM M12 Fixed aperture F1.8
FOV (8mm)	H*V 36*20
Audio Input	Built-in car-level audio pickup
Installation Features	Mounted to the front windshield (Glass slope is 19°to 90°)
Temperature	-40°F~158°F
Power Supply	DC 12V(PON)
Power Consumption	<2.5w
Dimensions	5.039 in. (L) x 2.952 in. (W) x 1.535 in. (H)

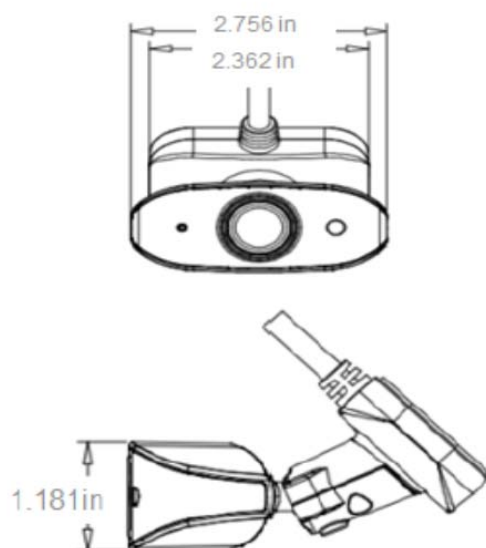


# Enterprise Driver Cam



Specifications	
Model	FC-CAM-DR-AHD-720
Video Resolution	720P @ 30fps
Sensor	1/3" 1.3M pixels CMOS
Resolution	1280H*720V
Minimum illumination	0 Lux (IR on)
Synchronizing system	Internal Synchronization
Scanning system	2:1 interlaced
S/N	≥50dB (AGC off)
Lens	2.3mm
Shutter	Auto
White balance mode	Auto
Color to black	Auto
Gamma Correction	0.45
Audio	Yes (Support band-pass filter)
Video output	AHD coaxial HD standard, 4-pin DIN JACK
IR	6 IR LEDs
Power	12V DC±10%
Consumption (Max.)	120m A/DC 12V (IR on)
Working temperature	-22°F ~ +158°F°C

## DRIVER CAM DIMENSIONS



## In-Cab LCD Screen (optional)

---

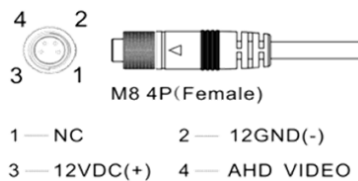
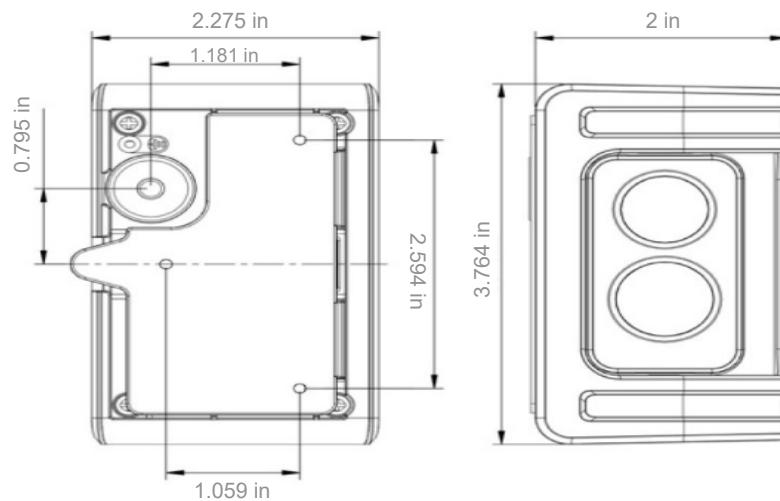


## Enterprise Side Cams (optional)



3

Specifications	
Model	FC-CAM-S-AHD-A (Left) FC-CAM-S-AHD-B (Right)
Sensor	1/2.8" 2.13M Sony Exmor Starvis CMOS
Resolution	720P / 1080P Optional
Video Format	NTSC
Minimum Illumination	0 lux/F1.2
Synchronization System	Internal synchronization
Scanning System	Line-by-line scan
SNR	50dB
Lens	3.6mm
Electronic Shutter	Auto
White Balance	Automatically track white balance
Color to Black	External synchronization control
Gamma Correction	User
Infrared Distance	30-50 feet (1 Array Light)
Video Output	AHD coaxial HD standard, 4pin aviation line
Power Supply	DC12V± 10%
Power Consumption (Maximum)	230mA/DC12V (IR ON)
Operating Temperature	-4°F ~ 131°F
IP Rating	IP67 (No ingress of dust and water immersion up to 1m)

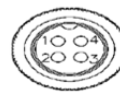
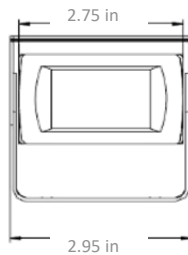
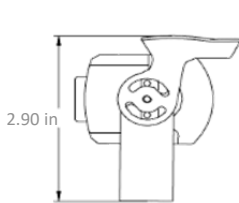


# Enterprise Rear Cam (optional)



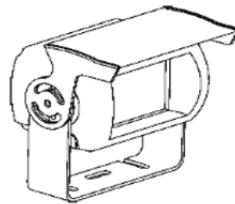
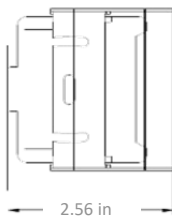
## Specifications

Model	FC-CAM-OS-AHD-2.8
CMOS	1/3 " 1.3M pixel CMOS
Resolution	1280x720
Format	NTSC
Minimum illumination	0 lux @ F1.2
IR distance	15-30 feet
Sync system	Internal synchronously
S/N	≥50dB
Lens	2.8mm
Electronic shutter	Auto
White balance mode	Auto
Mirroring function	Turn on
Color to black	External synchronously control
Gamma Correction	0.45 (default)
Video output	AHD coaxial HD output, 4-pin aviation cable
Power	130mA/DC12V±5%
Consumption (Max.)	150mA/DC12V ±10mA
Working temperature	-4°F ~ 122°F
Weight	380g (~0.84 lbs)



- 1---12VDC (+)
- 2---12VDC/GND (-)
- 3---N/A
- 4---Video

Aviation RS765-4 (Female)



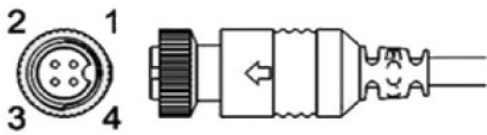
# Enterprise Dome Cam (optional)



## Specifications

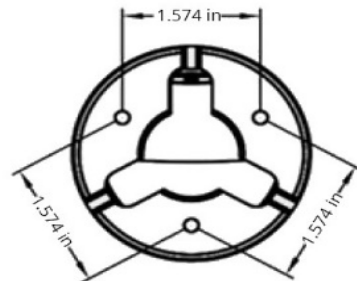
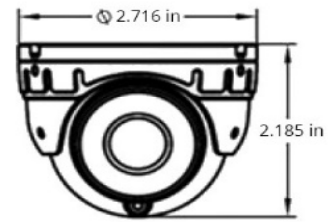
Model	FC-CAM-D-AHD-2.8
CMOS	1/3" 1.3M pixel CMOS
Resolution	720P
Camera Mode	NTSC
Minimum Illumination	0 Lux when IR on
Sync System	Inter-sync
Scanning System	Progressive scanning
S/N	≥50dB (AGC offff)
Lens	2.8mm
Electronic Shutter	Auto
White Balance Mode	Auto
Color to Black	Ext
Gamma Correction	0.45
Audio (Support band-pass filter)	Optional
Video Output	AHD standard output, 4-pin aviation cable
IR	6 IR LEDs, IR distance is about 16 feet
Power	120mA/DC12V±5%
Consumption (Maximum)	120mA/DC 12V±5% (IR on); 70mA/DC12V±5% (Without IR)
Working Temperature	-4°F ~ 122°F
Weight	0.4519lbs

### Video Output: Aviation Plug Connector



#### Aviation RS765-4(Female)

- 1---12VDC(+)
- 2---12GND(-)
- 3---AUDIO
- 4---AHD VIDEO





## Enterprise Modules

GPS Module and Antenna



Built-in 4G LTE/3G HSPA Module and Antenna\*



Built-in WiFi Module and Antenna\*



\* Unit supports either 4G LTE/3G HSPA module or WiFi module, but not both