



BTD9010 Enterprise AI Basic Dashcam System

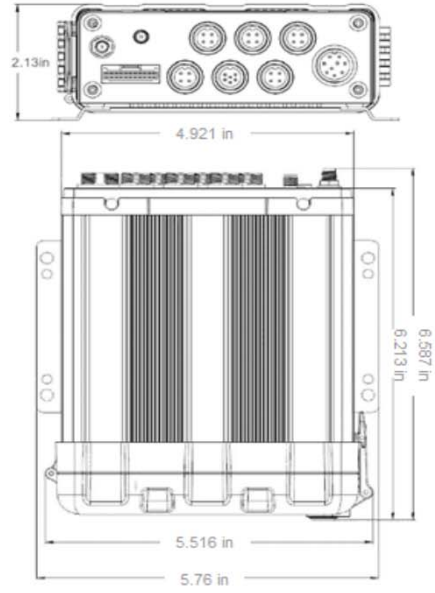
Enterprise DVR



Specifications	
Model	FC-ENTERPRISE-ATT/TMO
OS	Linux 3.18.20
Video Inputs	4 Channels AHD(1080P) + 1 channel IPC(1080P)
Video Outputs	1 Channel
Total Video Resources	4*720P@30fps(AHD) + 1*1080P@30fps(IPC) Or 4*1080P@15fps(AHD) + 1*1080P@30fps(IPC)
Video Signal Standard	Electrical Level: 1Vpp. Impedance: 75Ω. Optional NTSC/PAL
Audio Inputs	5 Channels (1 Channel IPC Audio Input)
Audio Outputs	1 Channel
Audio Signal Standard	Electrical Level: 2Vpp. Input Impedance: 4.7kΩ
Display Split	1/4/2009
OSD	GPS Info, Alarm, Vehicle Name, Speed, Date/Time
Video Compression	H.264/H.265
Audio Compression	ADPCM, G.711U
Recording Resolutions	Analog: PAL: 1080P(1920X1080), 720P(1280X720), WD1(928X576), WHD1(928X288), WCIF(464X288), D1(704X576), HD1(704x288), CIF(352x288) NTSC: 1080P(1920X1080), 720P(1280X720), WD1(928X480), WHD1(928X240), WCIF(464X240), D1(704x480), HD1(704x240),CIF(352x240); Digital: 1080P(1920X1080), 720P(1280X720)
Image Quality	1-8 Levels Adjustable (1 = Highest Quality)
Recording Mode	Boot Up/Schedule/Alarm
Pre-recording	0-60 Minutes (Default is 8 seconds)
Post-recording	0-30 Minutes (Default is 8 seconds)
Networks Supported	WiFi/3G/4G
IPC Ethernet	6-Pin M12 (100M x 1, PON Power Supply)
GPS	Location Tracking, Speed Detection, and Time Sync
G-Sensor	Built-in Three-Axis Inertia Sensor
Storage	2x SD Card Slots
USB	1x USB 2.0
RS232	1x RS232
Sensor	8 Inputs, 2 Outputs
Speed	1 Channel Pulse Speed Detection
Control Panel	Optional LCD Touchscreen
Power Input	DC8-36V
Power Output	5V@500mA
Max Power Consumption	29W
Standby Power Consumption	≈0W
Dimensions (L x W x H)	6.587 in x 5.76 in x 2.13 in
Weight	1.83 lbs
Operating Temperature	-40°F ~ +158°F
Operating Relative Humidity	8%-90%

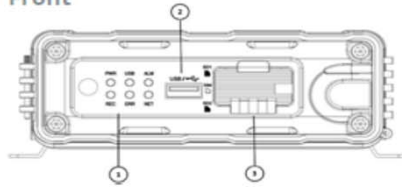
Enterprise DVR

DIMENSIONS

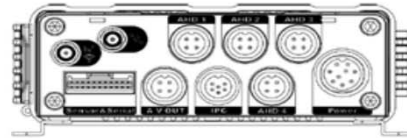


CONNECTIONS

Front



Back

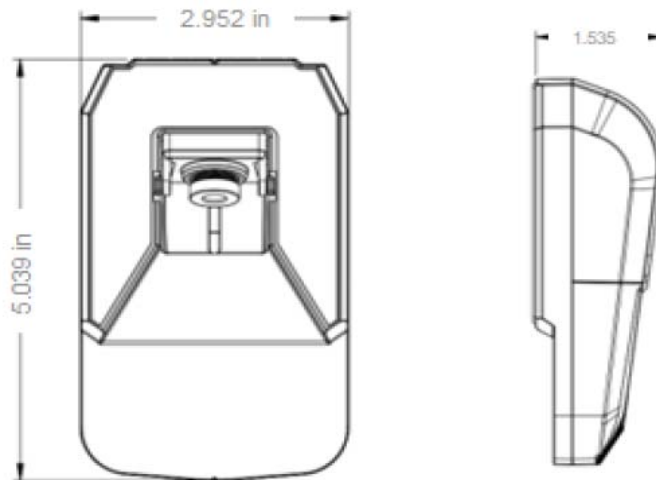


AI Driver Assistance Road Cam



Specifications

Model	FC-AI*
Sensor Type	1/2.8"1920*1080 CMOS Sensor
Shutter Speed	1/30-1/10000 Seconds
SNR	>50dB
Minimum Lux	0.05lux/F1.2
Focal Length	8MM (Aperture F1.8)
Size	M12
Gain Control	Auto
White Balance	Auto
Video Output	1080P
Power Supply	DC12V, (can accept 7-15V)
Power Consumption	Less than 1.5W

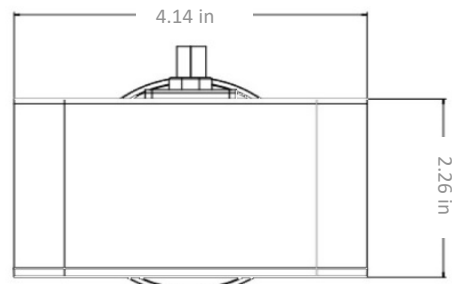
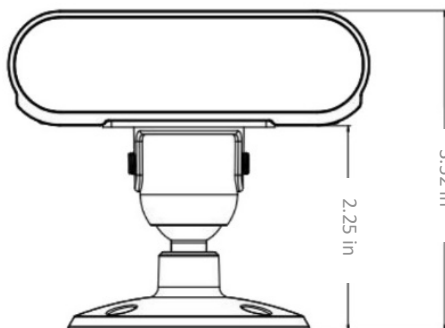


AI Driver Management Driver Facing Cam



Specifications

Model	FC-AI*
Focal Length	6MM M12
Sensor Type	1/3" CMOS
Shutter	Manual 1/60Sec - 1/5000Sec Auto 1/60Sec - 1/10000Sec
Pixel	Progressive Scan 1.3 Million Pixel, 960P
SNR	≥45dB
Minimum Lux	0Lux (IR)
Gain Control	Auto
White Balance	Auto
Exposure Mode	Auto
Connector	4 Pin Din Jack Connector
Data Type	AHD High Def Analog, Max 1080P/30 FPS
Power Supply	DC 8V-16V
Power In	PON DC 12V (can accept DC8V-DC16V)
Power Consumption	≤7W (Without AHD); ≤9.5W (With AHD)
Power Out	Power Supply Out Range DC8-16V
Infrared Range	1.2M
Infrared Wavelength	940NM
Infrared Mode	Constant On
Speaker	Internal 8Ω2W Speaker
Cable	500MM 6 Pin Din Jack (Lan & Power)
AHD	4 Pin Din Jack AHD (Video & Power)
In-Cab Feedback	6 Pin Molex (RS485 or RS232+Power)



AI In-Cab Feedback Display



Specifications

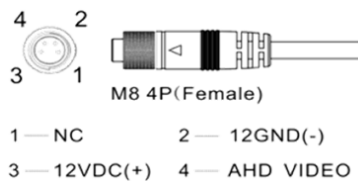
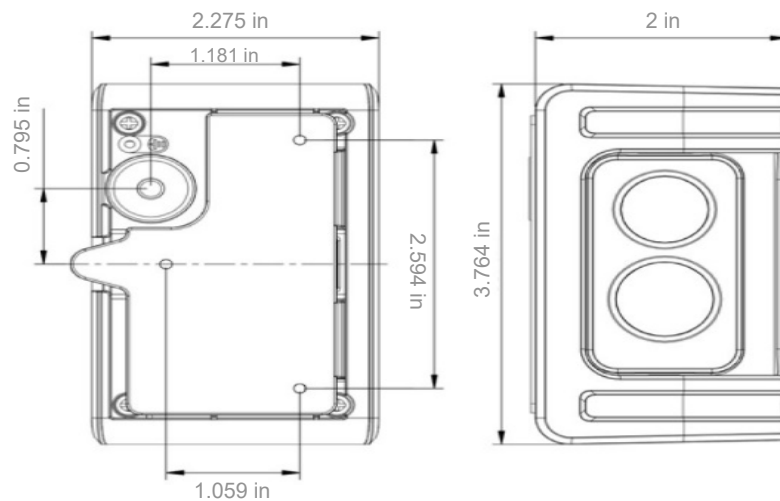
Model	FC-AI*
Display Size	1.4" Diagonal
Resolution	128x128 Pixels
Brightness	400cd/m ²
Light Sensor	Supported
Surface	Glass
Communication Protocol	RS485
Audio Feedback Buzzer	Internal, Adj. Volume, Min 80dB
Power Supply	5V-12V DC
Cable Length	3M/8M
Connector Type	Molex

Enterprise Side Cams (optional)



Specifications

Model	FC-CAM-S-AHD-A (Left) FC-CAM-S-AHD-B (Right)
Sensor	1/2.8" 2.13M Sony Exmor Starvis CMOS
Resolution	720P / 1080P Optional
Video Format	NTSC
Minimum Illumination	0 lux/F1.2
Synchronization System	Internal synchronization
Scanning System	Line-by-line scan
SNR	50dB
Lens	3.6mm
Electronic Shutter	Auto
White Balance	Automatically track white balance
Color to Black	External synchronization control
Gamma Correction	User
Infrared Distance	30-50 feet (1 Array Light)
Video Output	AHD coaxial HD standard, 4pin aviation line
Power Supply	DC12V± 10%
Power Consumption (Maximum)	230mA/DC12V (IR ON)
Operating Temperature	-4°F ~ 131°F
IP Rating	IP67 (No ingress of dust and water immersion up to 1m)

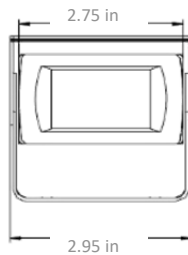
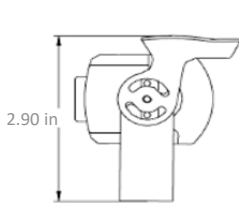


Enterprise Rear Cam (optional)



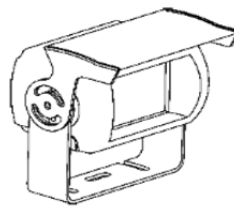
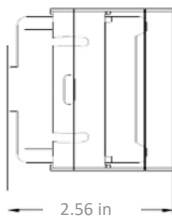
Specifications

Model	FC-CAM-OS-AHD-2.8
CMOS	1/3 " 1.3M pixel CMOS
Resolution	1280x720
Format	NTSC
Minimum illumination	0 lux @ F1.2
IR distance	15-30 feet
Sync system	Internal synchronously
S/N	≥50dB
Lens	2.8mm
Electronic shutter	Auto
White balance mode	Auto
Mirroring function	Turn on
Color to black	External synchronously control
Gamma Correction	0.45 (default)
Video output	AHD coaxial HD output, 4-pin aviation cable
Power	130mA/DC12V±5%
Consumption (Max.)	150mA/DC12V ±10mA
Working temperature	-4°F ~ 122°F
Weight	380g (~0.84 lbs)



- 1---12VDC (+)
- 2---12VDC/GND (-)
- 3---N/A
- 4---Video

Aviation RS765-4 (Female)



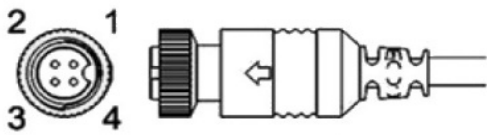
Enterprise Dome Cam (optional)



Specifications

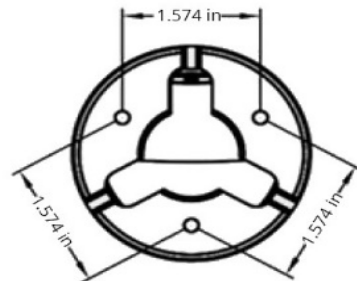
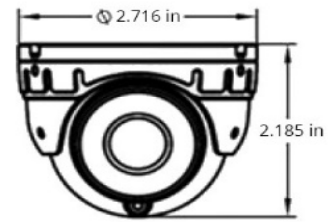
Model	FC-CAM-D-AHD-2.8
CMOS	1/3" 1.3M pixel CMOS
Resolution	720P
Camera Mode	NTSC
Minimum Illumination	0 Lux when IR on
Sync System	Inter-sync
Scanning System	Progressive scanning
S/N	≥50dB (AGC offff)
Lens	2.8mm
Electronic Shutter	Auto
White Balance Mode	Auto
Color to Black	Ext
Gamma Correction	0.45
Audio (Support band-pass filter)	Optional
Video Output	AHD standard output, 4-pin aviation cable
IR	6 IR LEDs, IR distance is about 16 feet
Power	120mA/DC12V±5%
Consumption (Maximum)	120mA/DC 12V±5% (IR on); 70mA/DC12V±5% (Without IR)
Working Temperature	-4°F ~ 122°F
Weight	0.4519lbs

Video Output: Aviation Plug Connector



Aviation RS765-4(Female)

- 1---12VDC(+)
- 2---12GND(-)
- 3---AUDIO
- 4---AHD VIDEO



In-Cab LCD Screen (optional)



Enterprise Modules

GPS Module & Antenna



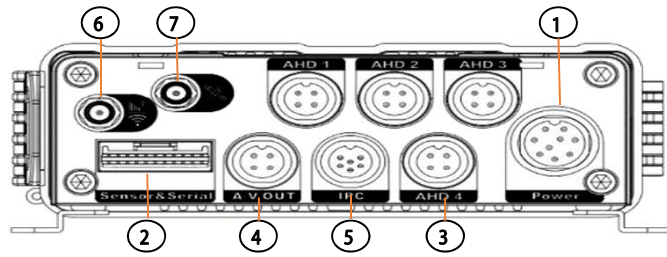
Built-in 4G LTE/3G HSPA Module and Antenna*



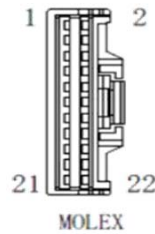
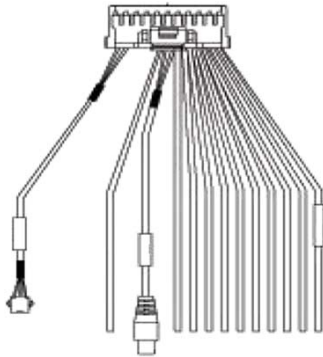
Built-in WiFi Module and Antenna*



* Unit supports either 4G LTE/3G HSPA module or WiFi module, but not both



Power	
Black	Negative
Yellow	ACC Ignition
Red	+12V



1	Power	DC 8-36v Power Input
2	Sensor & Serial	Interfaces Serial and Switch
3	A/V IN1-4	Audio & Video Input 1-4
4	A/V OUT	Audio & Video Output
5	IPC	PON Power Supply
6		GPS Antenna
7		3G/4G Lte Antenna or WiFi Antenna

Sensor	1	Green	Sensor IN1	Not used
	3	Gray	Sensor IN2	Not used
	5	Light Green	Sensor IN3	Not used
	7	Light Blue	Sensor IN4	Not used
	9	Gray	Sensor IN5	Not used
	11	Orange	Sensor IN6	Not used
	13	Pink	Sensor IN7	Left Blinker
	15	Yellow	Sensor IN8	Right Blinker
	17	Blue	Speed IN	Speed
	12	Red/White	Sensor OUT1	Not used
	14	Red/Yellow	Sensor OUT2	Not used
Mic	19	Black	GND	Not used
	21	Red	+5V	Not used
	16	to Molex 5559 4P	3 Mic SW	Not used
	20	to Molex 5559 4P	4 Mic -	Not used
RS232	22	to Molex 5559 4P	1 Mic +	Not used
	21	to Molex 5559 4P	2 +5V	Not used
	18	to SM 3Y	1 GND	Not used
	10	to SM 3Y	2 232 RX-1	Not used
	8	to SM 3Y	3 232 TX-1	Not used